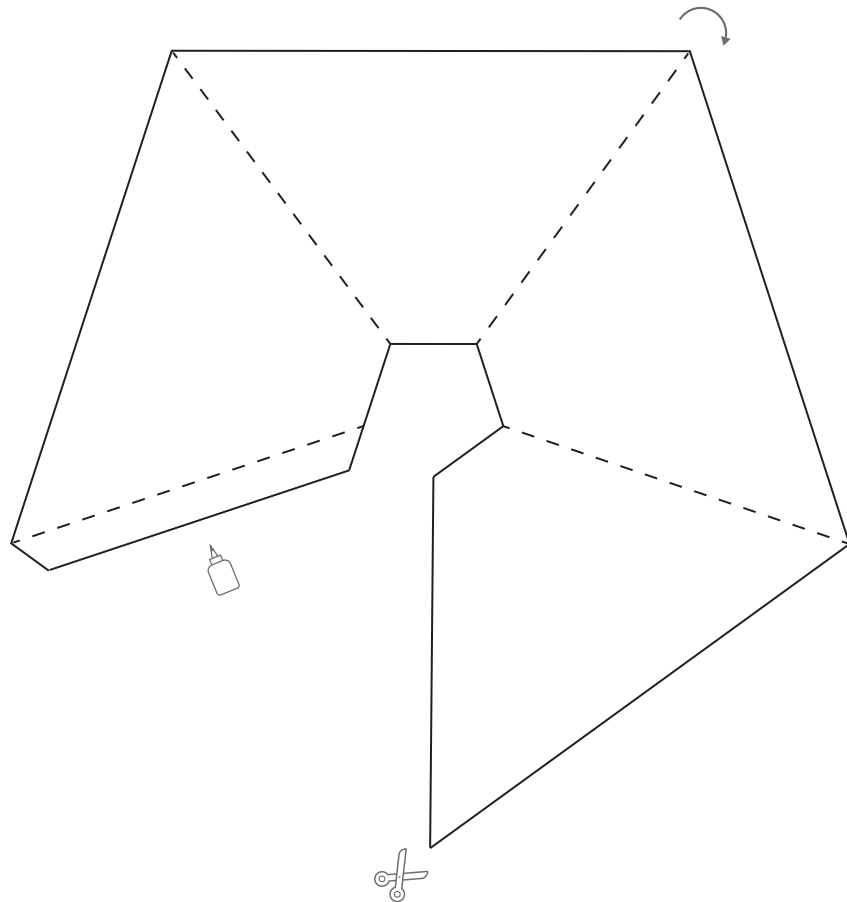


# DIY HOLOGRAM

MOBILE VERSION



## MAKE YOUR OWN HOLOGRAPHIC PYRAMID

Show holographic images on your phone or tablet easily

Materials: Clear plastic sheet, scissors (or stylus) and tape (or glue).



Print this template on paper (or directly on the plastic sheet).



Fix the plastic sheet on the edges of the paper (it makes easier to cut it).



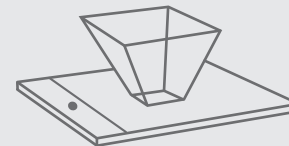
Cut the plastic sheet on the outer black lines.



Fold it on the dotted lines (you can mark it with a pen if needed).



Use tape or glue to join the edges.



Place the pyramid on your phone/tablet, play the videos and be the life of the party!

GET HOLOGRAPHIC VIDEOS HERE:

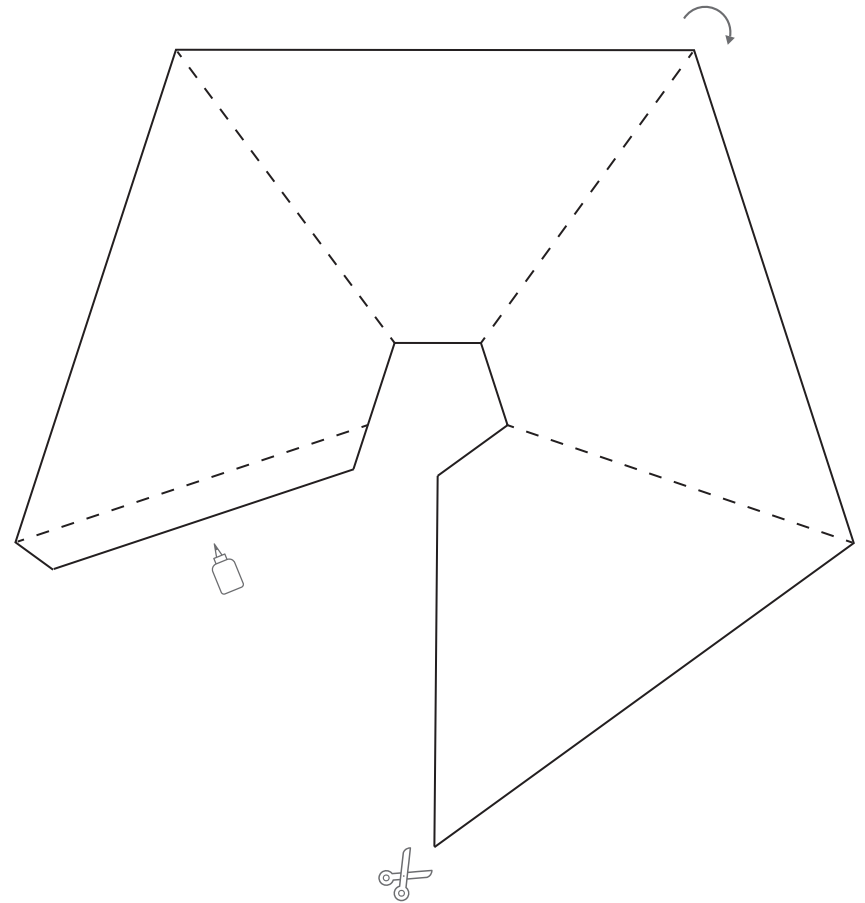
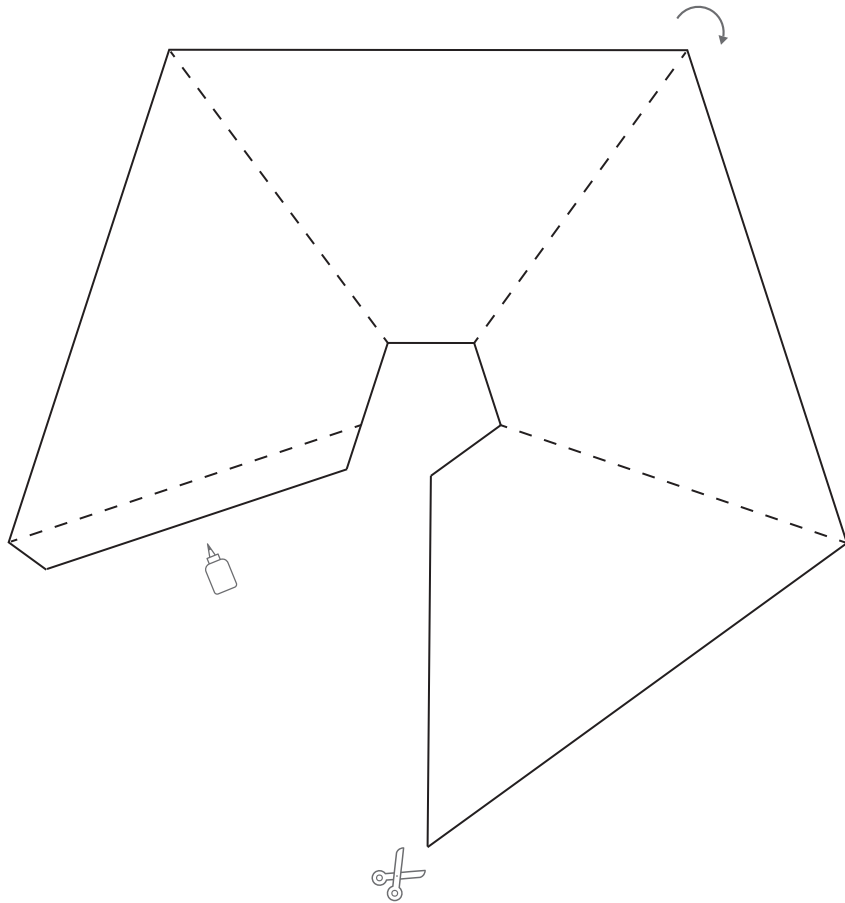
[www.cafundo.tv/diyhologram](http://www.cafundo.tv/diyhologram)

**CAFUNDO**

[www.cafundo.tv/diyhologram](http://www.cafundo.tv/diyhologram)

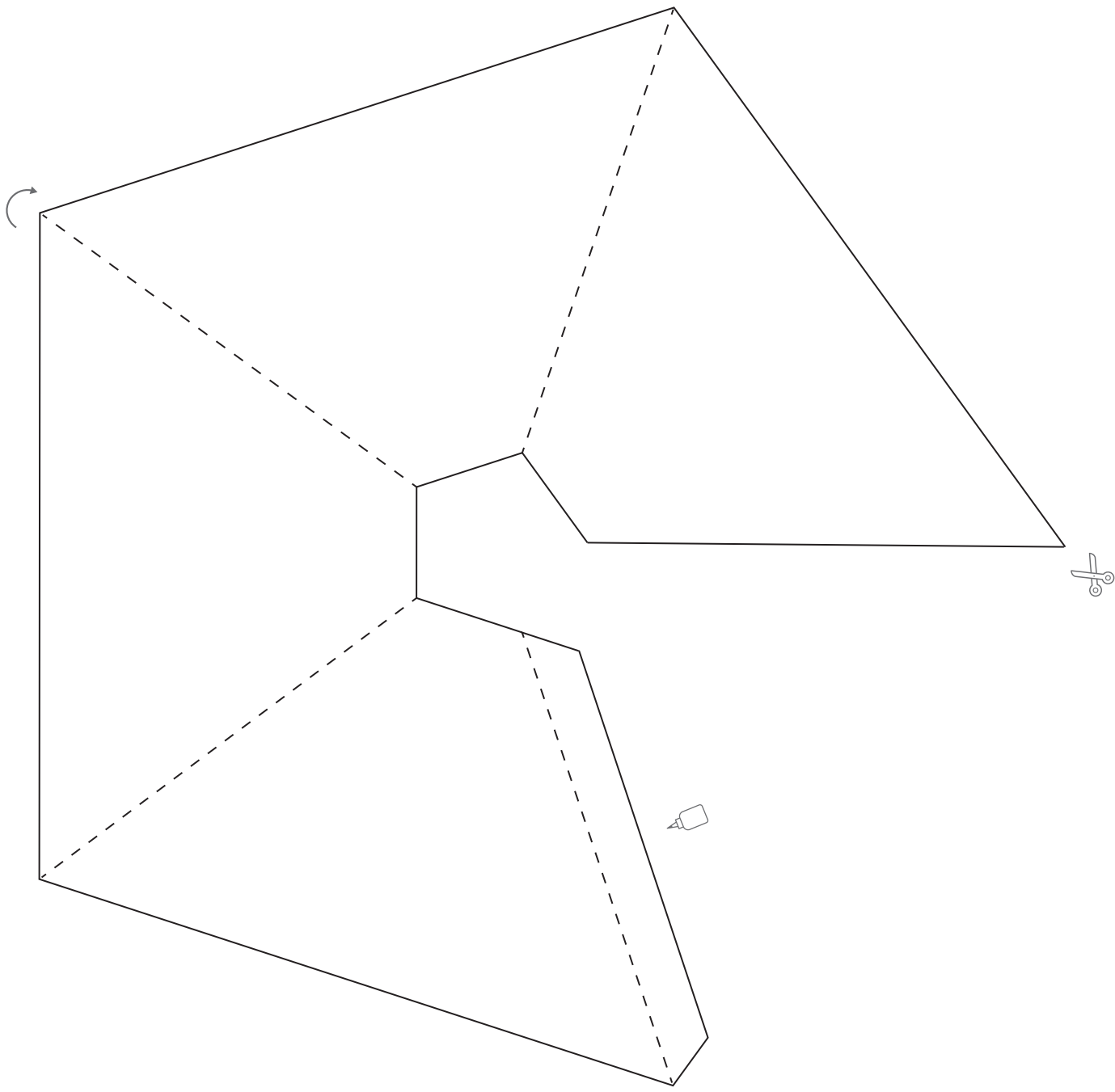
# DIY HOLOGRAM

MOBILE VERSION



# DIY HOLOGRAM

TABLET VERSION



**CAFUNDO**

[www.cafundo.tv/diyhologram](http://www.cafundo.tv/diyhologram)